

# EL<sup>®</sup>MARK

The Brand of Electricity

## LED PANELS WITH CLIPS FOR DRYWALL IP54

### GENERAL INFORMATION »

Rated voltage: 220-240VAC

- ∴ Power: 48W
- ∴ Power supply: control gear, DC device – driver
- ∴ Light source: SMD 2835
- ∴ Colour temperature: 4000K; 6400K
- ∴ Housing: White; Aluminium frame, no change of color over time
- ∴ Diffuser: even distribution of lights, without formation of lighter or darker spots
- ∴ Colour rendering index: Ra≥80
- ∴ Beam angle: 120°
- ∴ Average life: 30 000 hours
- ∴ Switch on/off: > 20 000
- ∴ Starting time: < 0.5s
- ∴ Power factor: 0.9
- ∴ Protection against dust and moisture: IP54
- ∴ Available in variant with an emergency kit
- ∴ LED panels can be dimmed using a suitable dimmable driver and remote control.
- ∴ Dimmable with DALI driver: 99DALI60150042



### FEATURES »

- ∴ Completely replace traditional fluorescent lighting
- ∴ Safety, low voltage operation
- ∴ Suitable for mounting in suspended ceiling Armstrong type
- ∴ Emit a very pleasant and even light with very low glare factor due to the diffusion lens
- ∴ Low power consumption
- ∴ Instant light with maximum luminous flux
- ∴ Environmentally friendly - do not emit mercury and lead
- ∴ No ultraviolet and infrared rays
- ∴ Resistant to shock and vibration
- ∴ Suitable for home, offices, halls, shops, hospitals

**KNAUF**

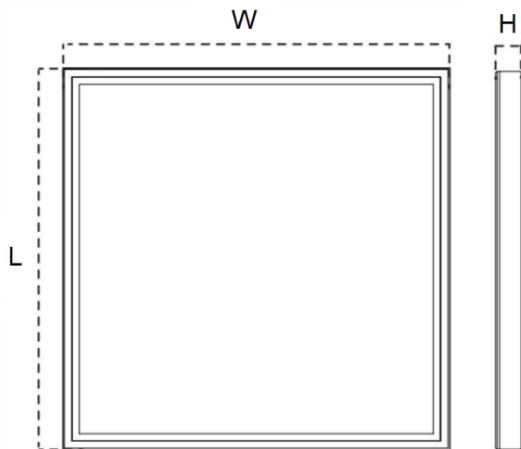


# TECHNICAL SPECIFICATION SHEET

## PRODUCT DETAILS"

| Catalogue number | Catalogue number with Emergency kit | Dimmable with DALI driver | Watt (W) | Efficiency | Whole fixture lumens (lm) | Colour temp. (K) | Colour body |
|------------------|-------------------------------------|---------------------------|----------|------------|---------------------------|------------------|-------------|
| 92PANEL030WIP54  | 92PANEL030WIP54E                    | 99DALI60150042            | 48       | 100lm/W    | 4800                      | 4000             | white       |
| 92PANEL030CWIP54 | 92PANEL030CWIP54E                   | 99DALI60150042            | 48       | 100Lm/W    | 4800                      | 6400             | white       |

## DIMENCIONS "



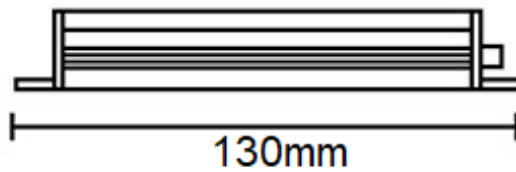
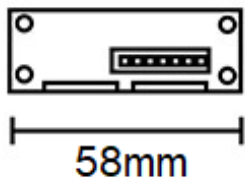
| Catalogue number  | Length (mm) | Width (mm) | Height (mm) |
|-------------------|-------------|------------|-------------|
| 92PANEL030WIP54   | 595         | 595        | 9           |
| 92PANEL030CWIP54  | 595         | 595        | 9           |
| 92PANEL030WIP54E  | 595         | 595        | 9           |
| 92PANEL030CWIP54E | 595         | 595        | 9           |

LED EMERGENCY KIT SPECIFICATIONS »

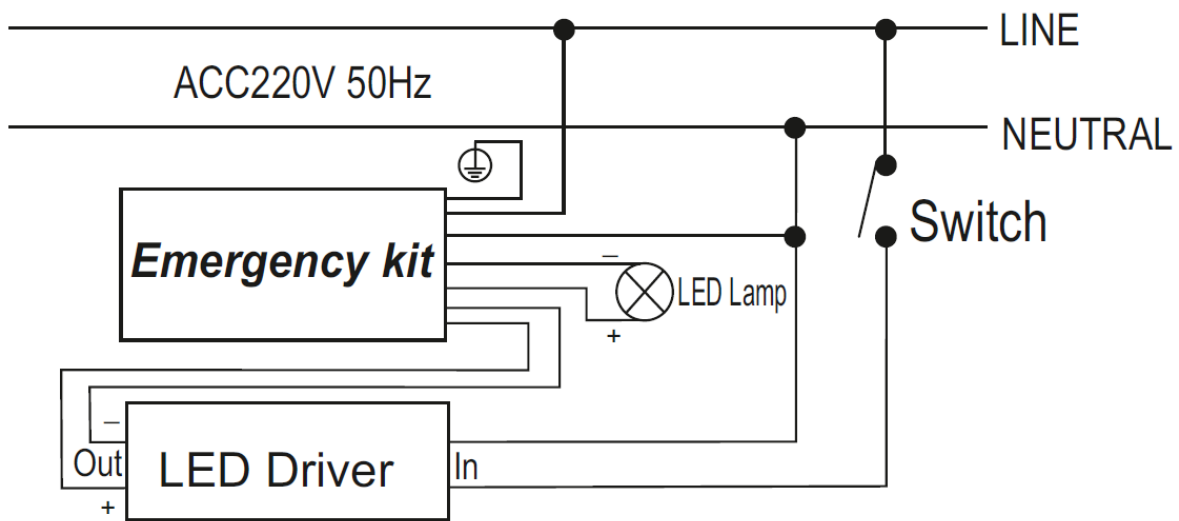
General information »



- ∴ Voltage: AC85-265V 50Hz
- ∴ Emergency Output: 3-40W
- ∴ Emergency Time: 2hrs (120mins)
- ∴ Battery: 3.7V 2400mAh
- ∴ Emergency Switching Time: <2s
- ∴ AC Fuse: 250V 1A
- ∴ DC Fuse: 250V 5A
- ∴ Luminous Flux: >100lm
- ∴ Light Source: LED
- ∴ Working temperature: -10°C +55°C
- ∴ IP Rate: IP30



Wiring diagram



● - It indicates the connection    ● Red = Charging    ● Blue = Emergency    ● Green = Power

[ACCESSORIES FOR LED PANELS »](#)

The LED panels is with clips for drywall.

[ADDITIONAL INFORMATION »](#)

| Catalogue number | Barcode       | Packing/Box (pcs) |
|------------------|---------------|-------------------|
| 92PANEL030WIP54  | 3800131253767 | 1/6               |
| 92PANEL030CWIP54 | 3800131253774 | 1/6               |

